



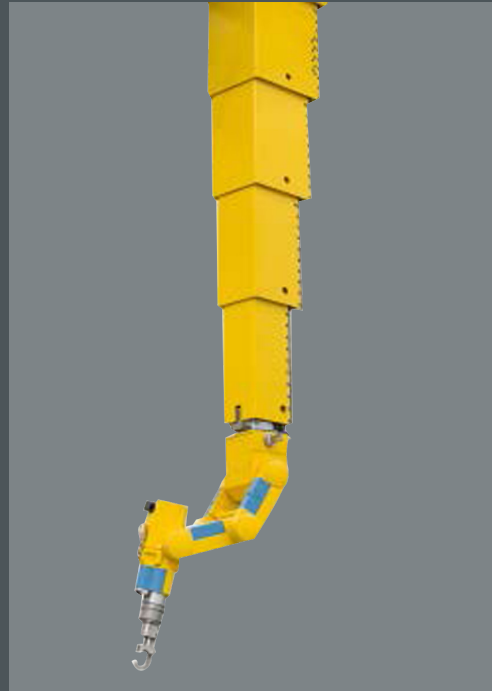
TELESCOPING MAST
TECHNOLOGY **FOR**
MANIPULATOR SYSTEMS

PAR
SYSTEMS

PaR offers a variety of telescoping mast design options, built to fit the needs of your unique application. We offer several options for recoverability to improve the quality and safety of your remote handling operations.



ROUND MAST
For Shorter Reach



SQUARE MAST
Longer Reach Applications



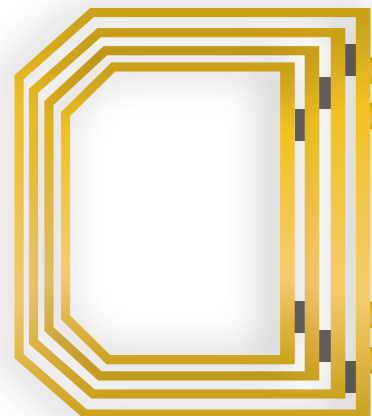
D MAST
Longer Reach and Higher
Stiffness Requirements



TENSILE TRUSS™
Maximum Travel Capacity*

VARIABLE MAST COMBINATIONS FLEXIBLE TO FIT YOUR NEEDS

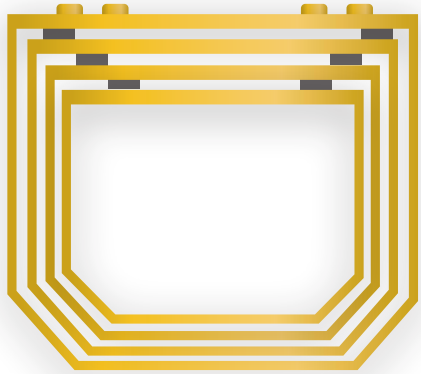
- Variable length of moving tubes
- Variable number of moving tubes
- Variable materials of tubes
- Variable diameter and sizes of tubes



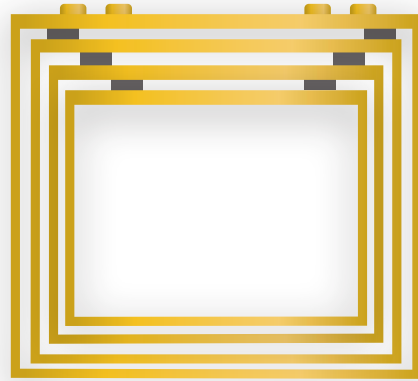
IT'S A GAME CHANGER

— PaR's patented back plate design allows access to internals for easy repair or decontamination without full disassembly, reducing your maintenance time.

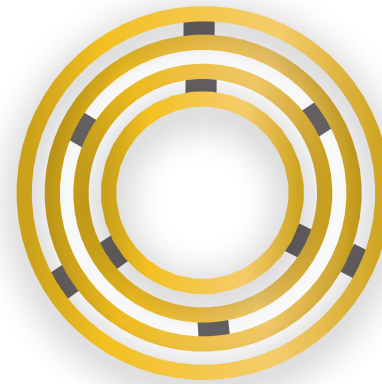
VARIETY OF MAST DESIGNS OPTIONS



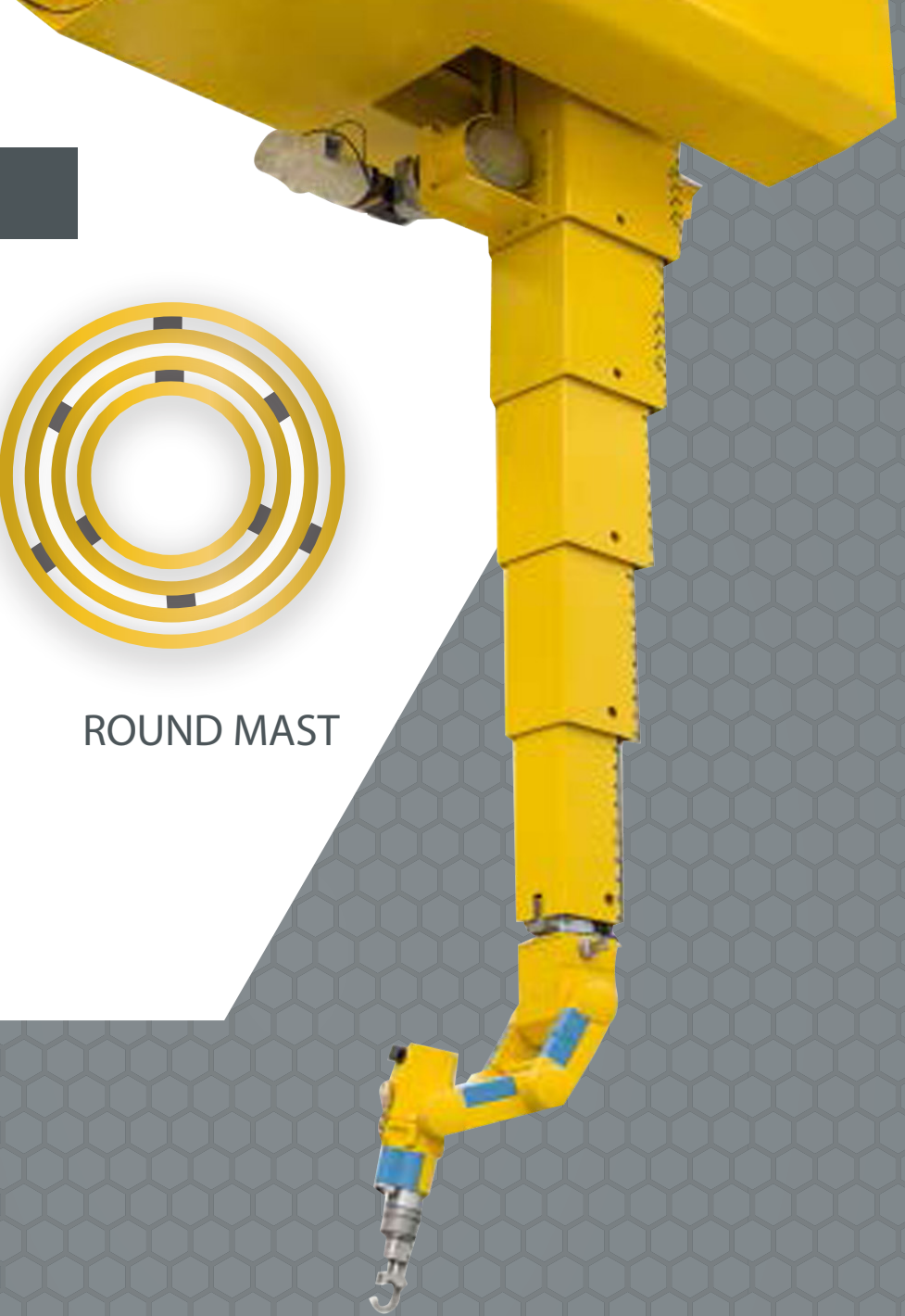
D MAST



SQUARE MAST



ROUND MAST



PaR offers different mast hoist configurations to fit your unique needs.

Highest Level Recoverable Single Failure Proof

- Dual Drum, Dual Motor
- Single Failure Proof Drive Train
- Drum, motor, gearbox and wire rope failures are all recoverable



Hoist Failure Recoverable

Single Motor / Dual Drum

- Drum or wire rope recoverable



Motor Failure Recoverable

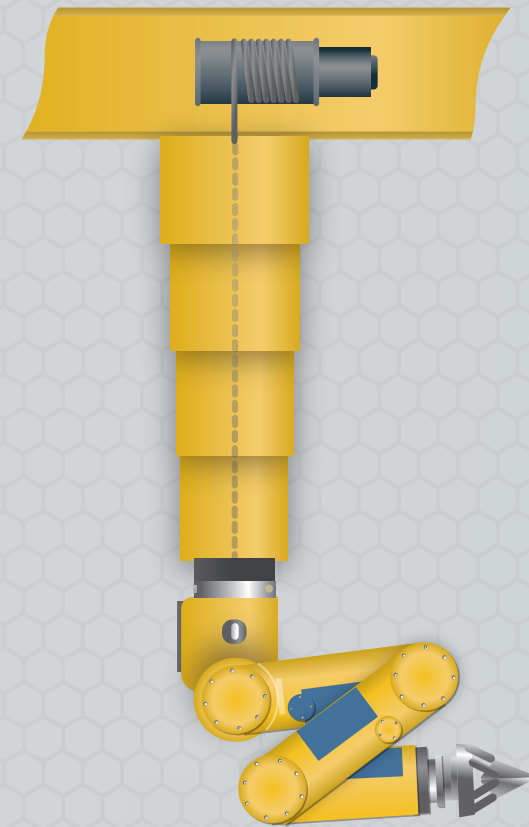
Dual Motor / Single Drum

- Motor and gearbox failures are recoverable



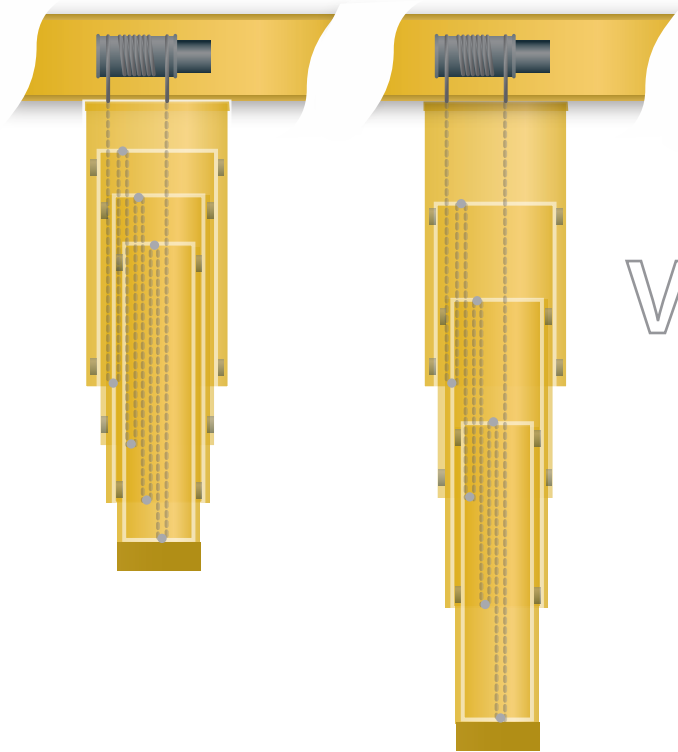
Non-Recoverable Non-Timed

Single Motor / Single Drum

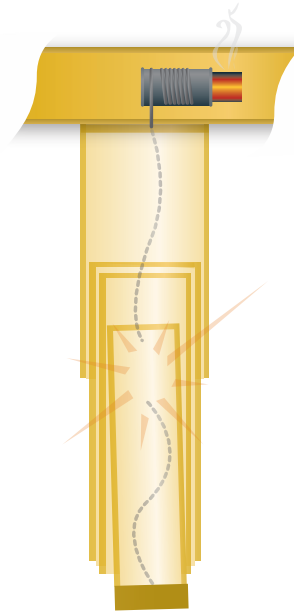


PaR's unique timed mast design eliminates your risk of a catastrophic failure that can occur with a non-timed mast. Our patented design allows the mast to extend evenly and in a controlled manner, unlike non-timed masts, which can become bound and then free-fall, breaking the wire rope.

Unique Timed Mast Design

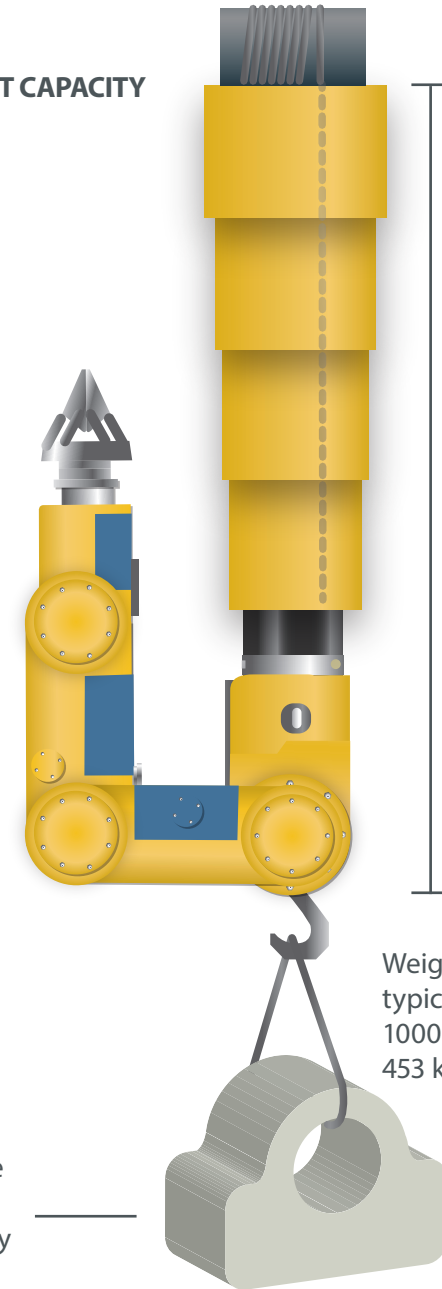


Non-Timed Mast



VS.

HOIST CAPACITY



Variable Length

Weight capacity is typically between 1000 lbs. and 4000 lbs. 453 kg. and 1814 kg.

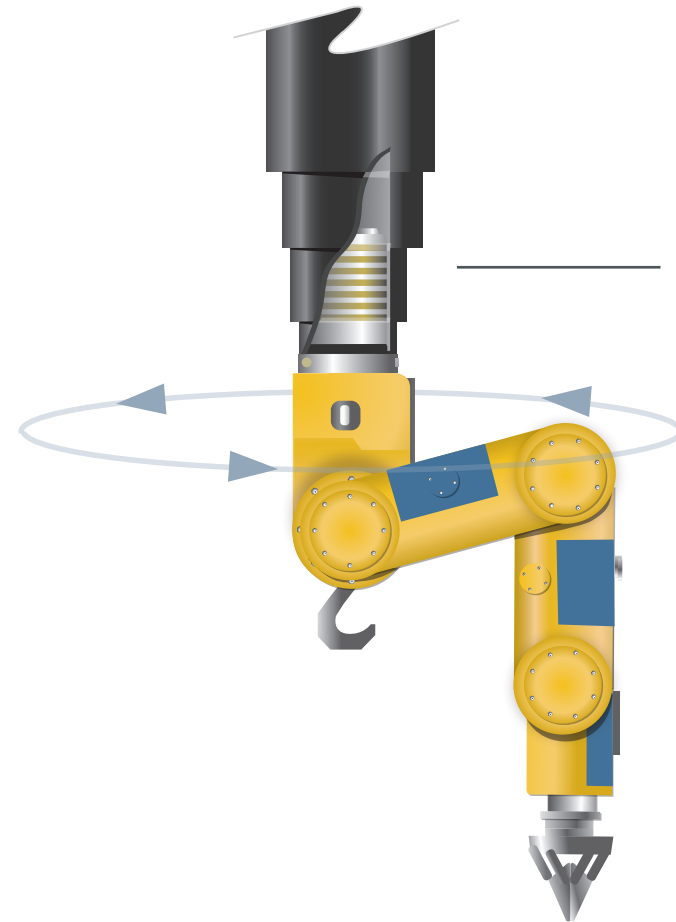
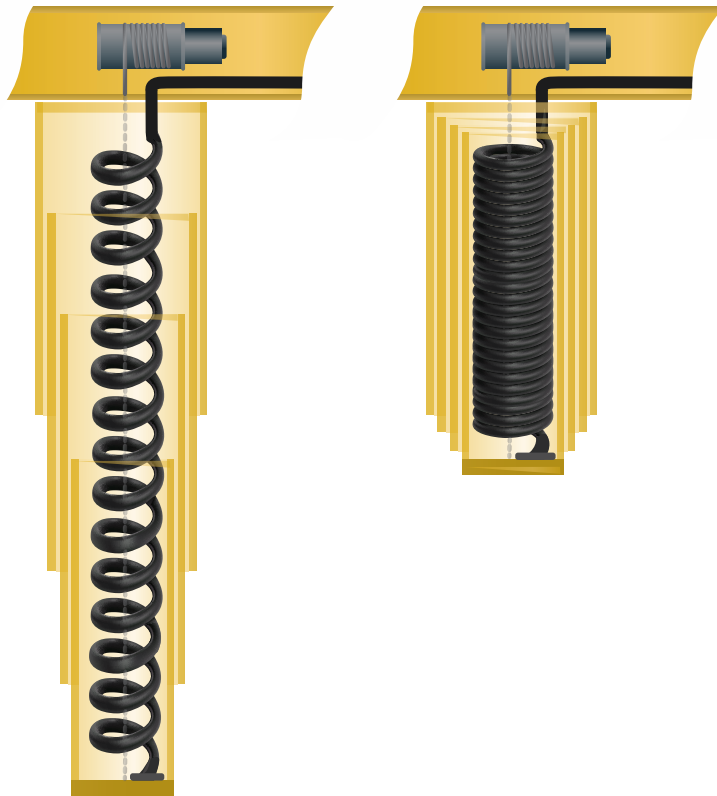
Variable Weight Capacity

Coil Cord Design and Continuous Rotation

Many different tools can be mounted to the end of the telescoping mast, not just a manipulator arm. Some examples of tools below:



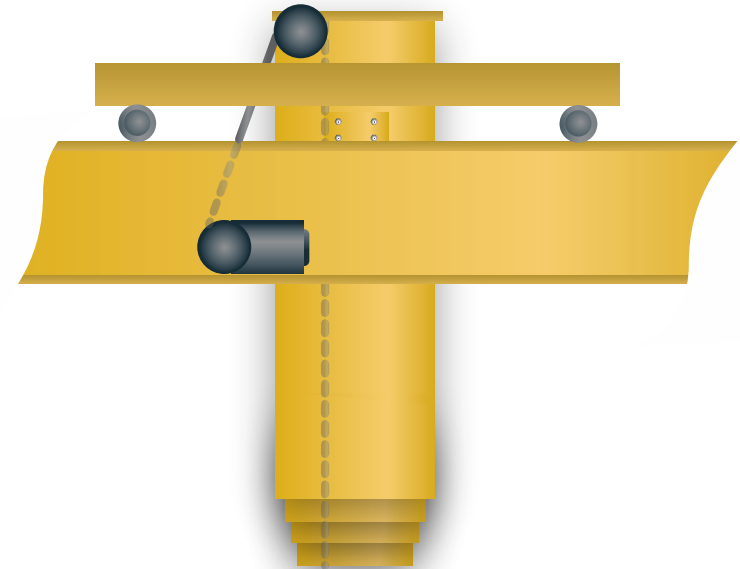
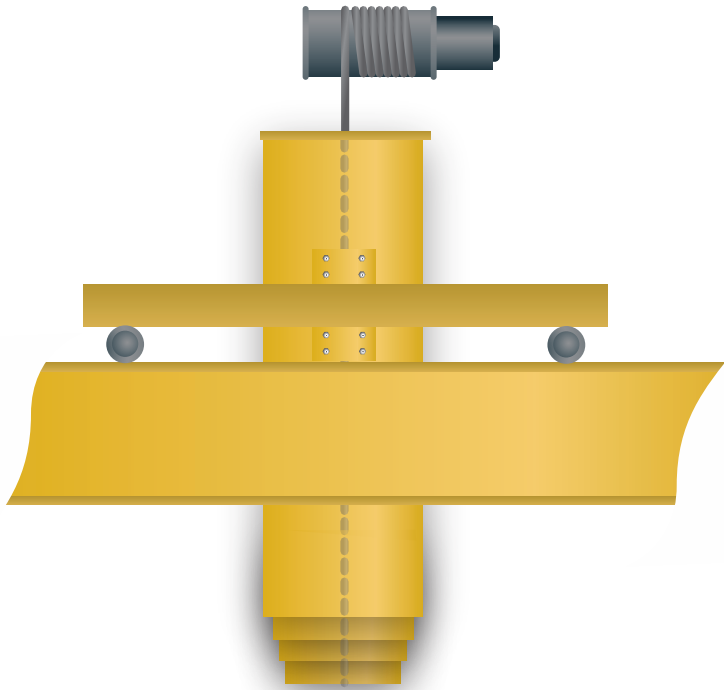
Coil Cord Design



Continuous Rotation
Features:
• Slip rings
• Continuous rotation without cable management issues

LOW HEADROOM CONFIGURATION

The design of our telescoping mast can be customized even for low ceiling height applications such as certain hot cell environments. PaR can deliver a tailored solution to for your unique needs no matter what your environment restrictions might be.





PaR Systems, LLC
707 County Road E West
Shoreview, Minnesota 55126-7007 USA
Toll Free: **1.800.464.1320**
T: **1.651.484.7261** | F: **1.651.483.2689**
E: **nuclear@par.com** | **www.par.com**